

# Datasheet

## Specifications:

Name: 74x20mm adhesive label

IC Protocol: ISO/IEC 18000-6C

Operating Frequency: 860 – 960MHz

Chip: Monza R6

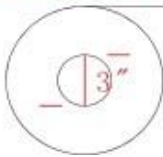
Materials: Coated paper + release

paper Thickness:  $0.23 \pm 0.04\text{mm}$

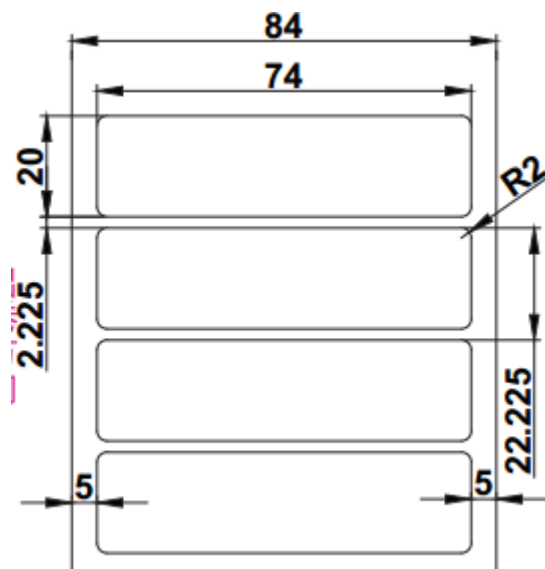
Read Sensitivity: -22 dBm

Packing: 2500 pcs/roll, 4 rolls/carton.

2500pcs/卷



Front side:



Back side:

